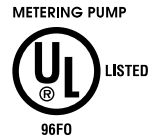
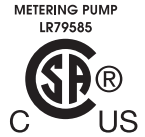
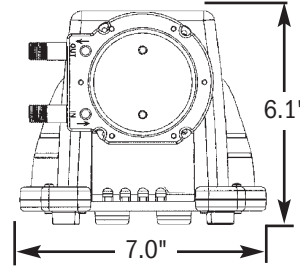
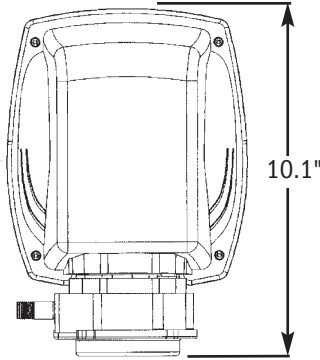
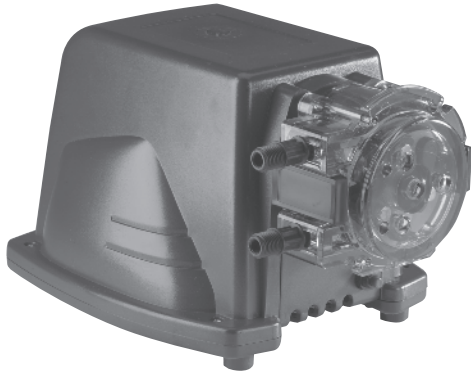


BDF PUMP SERIES SPECIFICATIONS

STENNER PUMPS



SHIPPING WEIGHT 9 lbs (4 kg)

Agency listings vary by model.
Contact factory for details

24-HOUR TIMER

100 psi (6.9 bar) MODELS

- 25BDF1HP
- 25BDF2HP

25 psi (1.7 bar) MODELS

- 25BDF1
- 25BDF2
- 25BDF3
- 25BDF4
- 25BDF5

7-DAY TIMER

100 psi (6.9 bar) MODELS

- 25BDF1HP-7
- 25BDF2HP-7

25 psi (1.7 bar) MODELS

- 25BDF1-7
- 25BDF2-7
- 25BDF3-7
- 25BDF4-7
- 25BDF5-7

FEATURES

- Programmable timer for scheduled doses
- Manual priming switch
- 3-point roller design assists in anti-siphon protection
- Pump head requires no valves, allows for easy maintenance
- Self-priming against maximum working pressure, foot valve not required.
- Pump does not lose prime or vapor lock
- Pumps off-gassing solutions and can run dry
- Output volume is not affected by back pressure
- Injection check valve included with models rated up to 100 psi (6.9 bar)
- Easy to change pump tube; lubrication is not required
- Pump tubes and pump heads interchange between models
- All pump accessories included allow a fast and easy installation



Stenner Pump Company
3174 DeSalvo Road
Jacksonville, Florida 32246 USA

Phone 904.641.1666
US Toll Free 800.683.2378
Fax 904.642.1012

www.stenner.com
sales@stenner.com
© Stenner Pump Company All Rights Reserved

BDF PUMP SERIES SPECIFICATIONS

STENNER PUMPS

OUTPUT CONTROL

Timer board with dip switches

MAXIMUM WORKING PRESSURE

100 psi (6.9 bar) 25BDF1HP, 25BDF2HP, 25BDF1HP-7, 25BDF2HP-7

25 psi (1.7 bar) 25BDF1, 25BDF2, 25BDF3, 25BDF4, 25BDF5, 25BDF1-7, 25BDF2-7, 25BDF3-7, 25BDF4-7, 25BDF5-7

MAXIMUM OPERATING TEMPERATURE

125° F (52° C)

MAXIMUM SUCTION LIFT

25 ft (7.6 m) vertical lift, based on water

MOTOR TYPE

1/30 HP, shaded pole, class B

APPROXIMATE MOTOR RPM

12

DUTY CYCLE

Intermittent

MOTOR VOLTAGE (AMP DRAW)

120V 60Hz 1PH (1.2)

POWER CORD PLUG END

120V 60Hz NEMA 5/15

POWER CORD TYPE

SJTOW

MATERIALS OF CONSTRUCTION

All Housings Polycarbonate

Pump Tube & Check Valve Duckbill Santoprene**, FDA approved

Pump Head Rollers HDPE

Roller Bushings Oil impregnated sintered bronze

Suction/Discharge Tubing, Ferrules 1/4" & 6 mm
Polyethylene, FDA approved

Tube Fittings PP, NSF listed

Check Valve Fittings Type 1, Rigid PVC, NSF listed

Connecting Nuts PP or Type 1 Rigid PVC

Suction Line Strainer PP or Type 1 Rigid PVC, body with Type 1 Rigid PVC cap, NSF listed; ceramic weight

All Fasteners Stainless steel

Pump Head Latches Polypropylene

*Santoprene® is a registered trademark of Exxon Mobil Corporation.

ACCESSORY KIT SHIPPED WITH EACH PUMP

3 connecting nuts 1/4"

3 ferrules 1/4"

1 injection check valve 100 psi (6.9 bar) OR injection fitting 25 psi (1.7 bar)

1 weighted suction line strainer 1/4"

1 20' roll suction/discharge tubing 1/4" white

1 additional pump tube

2 additional latches

1 manual

24-HOUR TIMER

Model	Maximum Pressure	Pump Tube Number	Output Control	Maximum Gallons per Day	Maximum Liters per Day	Ounces per Dose Hour	Milliliters per Dose Hour
25BDF1HP*	100 psi (6.9 bar)	#1	24-hr timer	0.3	1.1	0.06 to 1.3	2.0 to 39.0
25BDF2HP*	100 psi (6.9 bar)	#2	24-hr timer	1.0	3.8	0.21 to 4.5	6.0 to 134.0
25BDF1	25 psi (1.7 bar)	#1	24-hr timer	0.3	1.1	0.06 to 1.3	2.0 to 39.0
25BDF2	25 psi (1.7 bar)	#2	24-hr timer	1.0	3.8	0.21 to 4.5	6.0 to 134.0
25BDF3	25 psi (1.7 bar)	#3	24-hr timer	2.0	7.6	0.48 to 10.0	14.0 to 302.0
25BDF4	25 psi (1.7 bar)	#4	24-hr timer	3.0	11.4	0.71 to 15.0	21.0 to 449.0
25BDF5	25 psi (1.7 bar)	#5	24-hr timer	4.0	15.1	1.0 to 21.0	30.0 to 625.0

7-DAY TIMER

Model	Maximum Pressure	Pump Tube Number	Output Control	Maximum Gallons per Day	Maximum Liters per Day	Ounces per Dose Hour	Milliliters per Dose Hour
25BDF1HP-7*	100 psi (6.9 bar)	#1	7-day timer	0.3	1.1	0.06 to 1.3	2.0 to 39.0
25BDF2HP-7*	100 psi (6.9 bar)	#2	7-day timer	1.0	3.8	0.21 to 4.5	6.0 to 134.0
25BDF1-7	25 psi (1.7 bar)	#1	7-day timer	0.3	1.1	0.06 to 1.3	2.0 to 39.0
25BDF2-7	25 psi (1.7 bar)	#2	7-day timer	1.0	3.8	0.21 to 4.5	6.0 to 134.0
25BDF3-7	25 psi (1.7 bar)	#3	7-day timer	2.0	7.6	0.48 to 10.0	14.0 to 302.0
25BDF4-7	25 psi (1.7 bar)	#4	7-day timer	3.0	11.4	0.71 to 15.0	21.0 to 449.0
25BDF5-7	25 psi (1.7 bar)	#5	7-day timer	4.0	15.1	1.0 to 21.0	30.0 to 625.0

*Injection check valve included with pumps rated 26-100 psi (1.8-6.9 bar).

NOTICE: The information within this chart is solely intended for use as a guide. The output data is an approximation based on pumping water under a controlled testing environment. Many variables can affect the output of the pump. Stenner Pump Company recommends that all metering pumps undergo field calibration by means of analytical testing to confirm their outputs. The information contained in this flyer is not intended for specific application purposes. Stenner Pump Company reserves the right to make changes to prices, products, and specifications at any time without prior notice.